

Pekos[®]

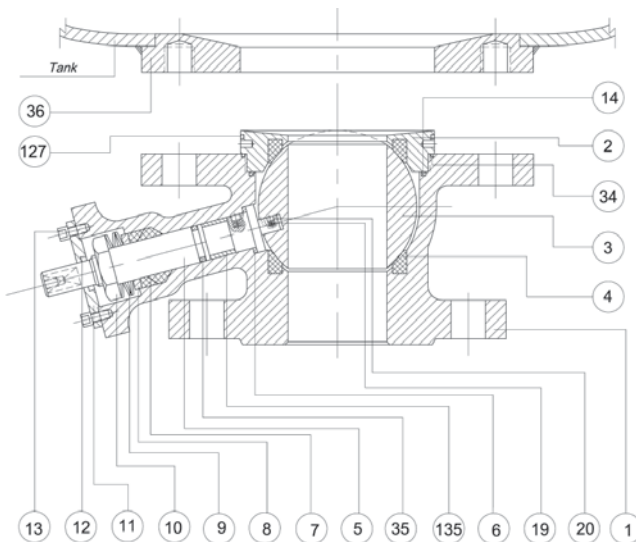
V A L V E S



设计特点 / *Design advantages*

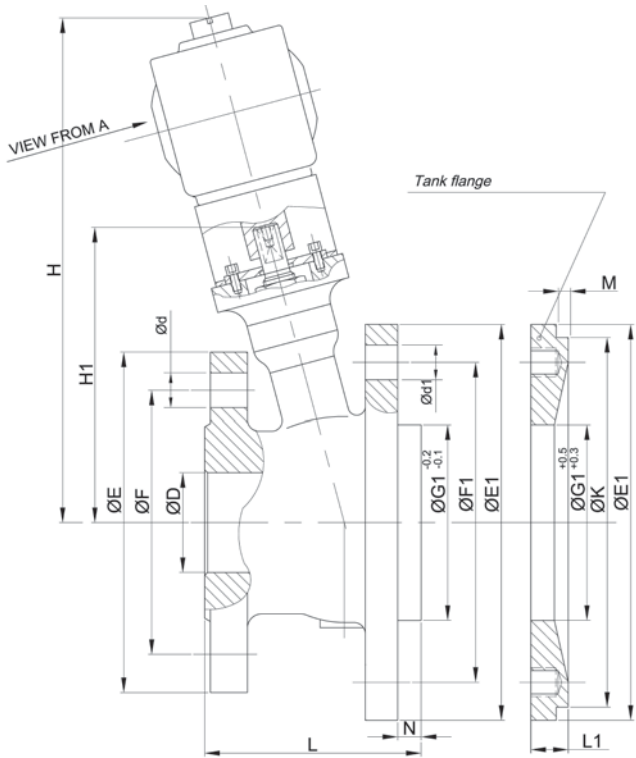
- Pekos釜底阀门结构分为两大部分, 即釜底部焊接法兰和阀门主体, 两者间采用螺栓连接, 易于拆卸维护
Pekos tank bottom valve body is flanged to tank flange through bolts and nuts, easy to be maintained
- 球体和密封脊尽可能贴近釜底壁, 形成零死角, 达到釜底无死区和最佳排空效果, 防止介质在釜底结垢
Zero distance between the ball and the tank bottom to avoid deposition & guarantee fully discharge
- 倾斜式阀杆设计容易实现操作和辅助部件的组装
Inclined stem design eases the assembly of operating and ancillary elements.
- 可配保温夹套 / *Can be supplied with heating jacket.*
- 特殊材质可按要求订制 / *Special materials upon request.*

标准结构材料 / *Standard construction materials*



ITEM	名称	DESCRIPTION	CAN.	FIG.Z156RRR-WF
1	阀体	Body	1	1.4408 S.S.
2	阀体嵌入体	Insert	1	1.4401 S.S.
3	球体	Ball	1	1.4408 S.S.
4	阀座	Seat	2	PTFE+GF (R)
5	阀杆	Stem	1	1.4401 S.S.
6	阀杆密封圈	Stem seal	1	PTFE+GF (R)
7	阀杆填料	Stem packing	1	PTFE+GF (R)
8	填料垫	Gland packing	1	1.4401 S.S.
9	弹性垫圈	Spring washer	3	1.4310 S.S.
10	阀杆螺母	Stem nut	1	1.4305 S.S.
11	阀盖	Cover	1	1.4401 S.S.
12	阀盖密封圈	Cover oring	1	PTFE (T)
13	阀盖螺栓	Cover bolt	2	A4-70 S.S.
14	阀体密封圈	Body seal 1	1	PTFE+GF (R)
19	弹簧	Spring	2	1.4319 S.S.
20	球体	Ball	2	1.4401 S.S.
34	阀体O形圈	O ring body	1	Viton (V)
35	阀杆O形圈	O ring stem	1	Viton (V)
36	罐底法兰	Tank flange	1	1.4401 S.S.
127	O形圈嵌入件	O ring insert	1	Viton (V)
135	阀杆	Stem tip	1	PTFE+GF (R)

结构和尺寸图 / Dimensions



裸杆阀 / Free stem valve

DN=D	E	F	d	L	N	E ₁	F ₁	G ₁	d ₁	H ₁
40	150	110	18	116	20	185	145	104	18	136
50	165	125	18	111	20	200	160	104	18	136
65	185	145	18	133	20	220	180	124	18	156
80	200	160	18	144	25	250	210	146	18	176
100	220	180	18	169	25	285	240	179	22	189
125	250	210	18	259	30	340	295	215	22	227
150	285	240	22	281	30	405	355	255	26	246

带气动执行机构 / With pneumatic actuator

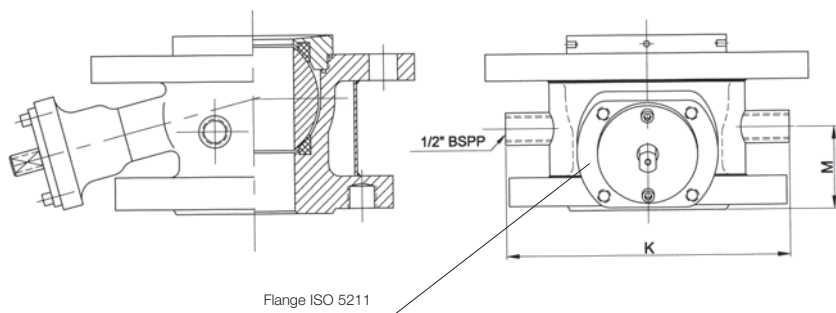
DN=D	罐底阀兰 FLANGE TO TANK	双作用式 Double acting actuator		弹簧复位式 Spring return actuator	
		H	A	H	A
40	DN 65	277	210	300	268
50	DN 80	289	248	328	315
65	DN 100	311	268	350	345
80	DN 125	395	315	426	408
100	DN 150	409	315	458	438
125	DN 200	469	408	615	621
150	DN 250	504	438	631	621

* 特别适合有快速完全泄放要求的工况
Especially suitable for fast and fully relief of tank fluid

罐底法兰 / Tank flange

DN	40	50	65	80	100	125	150
M	3	3	3	3	3	5	5
L1	25	25	25	30	30	35	35
K	180	195	215	245	280	332	397

带保温夹套的罐底阀 / With heating jacket



DN	ISO5211	K	M
40	F07	162	42
50	F07	180	49
65	F07	198	57
80	F10	230	64
100	F10	254	73
125	F12	306	133
150	F12	350	166

