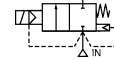




# PULSE VALVES

single stage, integral pilot  
threaded body or compression fitting  
3/4" to 1"

NC



2/2  
Series  
353

## FEATURES

- The diaphragm pulse valves are especially designed for dust collector service applications, combining high flow, long life and extremely fast opening and closing to produce reliable and economical operation
- The high flow, angle type bodies, springless construction, in combination with the special diaphragm assemblies give the unique operating features required for dust collector service applications
- Integral compression fittings for fast, easy, secure installation
- Waterproof and explosionproof solenoids for use in potentially explosive atmospheres
- The valves satisfy all relevant EC directives



## GENERAL

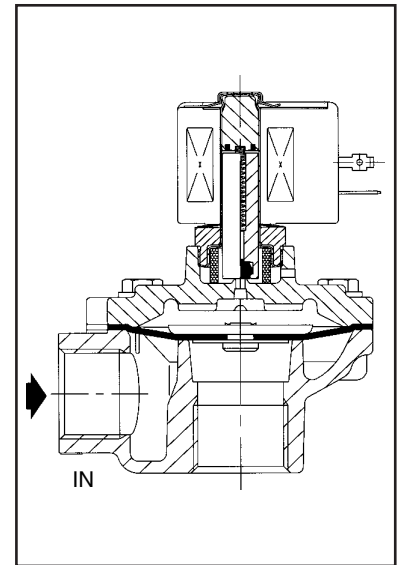
Differential pressure (PS) 0.35 - 8.5 bar [1 bar = 100kPa]  
Ambient temperature range -40 ~ +85°C

Fluids (*)	Temperature Range (TS)	Diaphragm (*)
air	-40°C ~ +85°C	TPE (hytel)

## MATERIALS IN CONTACT WITH FLUID

(\*) Ensure that the compatibility of the fluids in contact with the materials is verified

Body	Aluminium
Core tube	Stainless steel
Core and plugnut	Stainless steel
Core spring	Stainless steel
Sealings & disc	NBR
Diaphragm	TPE
Shading coil	Copper
Coil insulation class	F
Connector	Spade plug (cable Ø 6 - 10 mm)
Connector specification	ISO4400
Electrical safety	IEC335



## ELECTRICAL CHARACTERISTICS

Standard voltages DC (=): 24V  
(Other voltages and 60 Hz on request) AC (-): 24V/50; 110V/50, 120V/60; 220V/50, 240V/60

Coil Type	Nominal Power Ratings				Operator Temperature Range (TS) °C	Protection
	Inrush ~ (VA)	Holding ~ (VA) (W)		Hot/Cold = (W)		
		(VA)	(W)			
238213-059	30	16	8.1	-	-40 ~ +85°C	IP65
238313-903	-	-	-	21.2		

## SPECIFICATIONS

Pipe Size	Orifice Size (mm)	Flow Coefficient Kv (m³/h) (l/min)		Operating Pressure Differential (bar)			Coil Type ~ =		Catalog Number Aluminium Stainless Steel		Option			
				Min.	Max. (PS)						FPM	EPDM	CR	PTFE
					~	=								
<b>G - Threaded pipe connection</b>														
3/4	24	14	233	0.35	8.5	8.5	M6-FT	M6-FB	SCG353G043*	SCG353G132	V			
1	27	17	283	0.35	8.5	8.5	M6-FT	M6-FB	SCG353G044*	SCG353G133	V			
<b>Ø - Compression fitting pipe connection</b>														
3/4	24	14	233	0.35	8.5	8.5	M6-FT	M6-FB	SCG353G052*	-	V			
1	27	17	283	0.35	8.5	8.5	M6-FT	M6-FB	SCG353G053*	-	V			

\* Express in 10 business days, please contact with ASCO for more details.

**OPTIONS**

- Waterproof enclosure with embedded screw terminal coil according to protection class IP67, CEE 10
- Explosionproof solenoids for hazardous locations according to ATEX and national standards
- Compliance with "UL" standards
- Plug with visual indication and/or peak voltage suppression
- Electronic timer
- Valves can also be supplied with FPM (fluoroelastomer) diaphragms and seals. Use the appropriate optional suffix letter for identification



**INSTALLATION**

- The valves can be mounted in any position without affecting operation
- Threaded pipe connection is G (ISO 228/1) or compression fitting
- For compression fitting types tightness is achieved by the compressed gasket on the blow tube
- The use of the rubber gaskets as sealing members will allow a slight misalignment in piping when using compression fittings
- Other pipe threads are available on request
- Installation/maintenance instructions are included with each valve
- Spare parts kits and replacement coils are available

**SPARE PARTS KIT**

Catalog Number	Spare Parts Kit No.
SCG353G043	C140740
SCG353G044	
SCG353G052	
SCG353G053	
SCG353G132	C140747
SCG353G133	C140748

**DIMENSIONS (MM), WEIGHT (KG)**

Threaded pipe connection

Compression type fitting

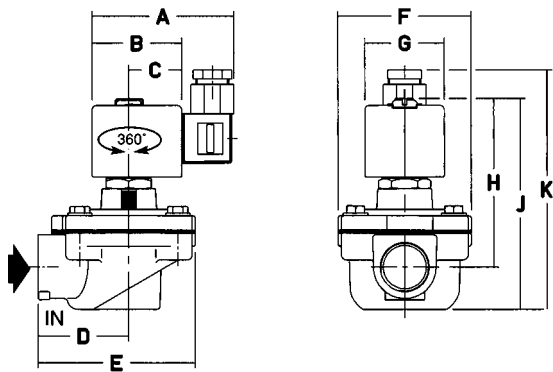


Fig. 1

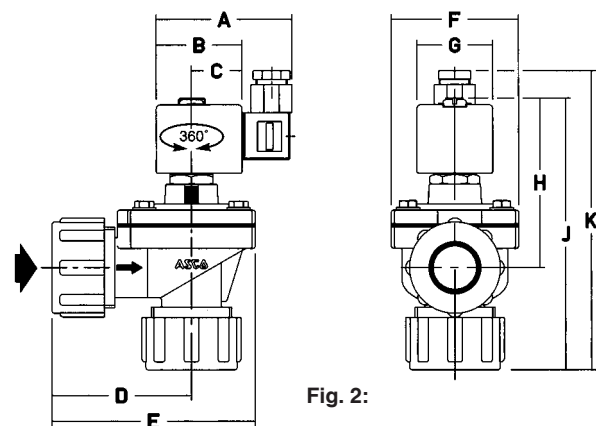


Fig. 2:

Catalog Number	A	B	C	D	E	F	G	H	J	K	Weight <sup>(1)</sup>	(C)
SCG353G043	87	52	27	51	89	75	43	92	113	130	0.70	Fig.1
SCG353G044	87	52	30	81	89	75	43	93	113	127	0.65	Fig.1
SCG353G052	87	52	27	88	125	75	43	92	175	195	0.85	Fig.2
SCG353G053	87	52	30	88	125	75	43	93	175	192	0.90	Fig.2

<sup>(1)</sup> Incl. coil and connector

<sup>(C)</sup> Construction type

## FEATURES

- The diaphragm pulse valves are especially designed for dust collector service applications, combining high flow, long life and extremely fast opening and closing to produce reliable and economical operation
- Integral compression fittings for fast, easy, secure installation
- The high quality diaphragms are reinforced and wear resistant to guarantee a long operating life, even under harsh conditions
- Various optional waterproof and explosionproof solenoids for use in potentially explosive atmospheres
- The valves satisfy all relevant EC directives

## GENERAL

Differential pressure (PS) 0.35 - 8.5 bar [1 bar = 100kPa]  
Ambient temperature range -20 ~ +85°C

Fluids (*)	Temperature Range (TS)	Diaphragm (*)
air	-20°C ~ +85°C	Chloroprene

## MATERIALS IN CONTACT WITH FLUID

(\*) Ensure that the compatibility of the fluids in contact with the materials is verified

Body	Aluminium
Core tube	Stainless steel
Core and plugnut	Stainless steel
Core spring	Stainless steel
Sealings & disc	NBR
Diaphragm	Chloroprene
Shading coil	Copper
Coil insulation class	F
Connector	Spade plug (cable Ø 6 - 10 mm)
Connector specification	ISO4400
Electrical safety	IEC335

## ELECTRICAL CHARACTERISTICS

Standard voltages DC (-): 24V  
(Other voltages and 60 Hz on request) AC (~): 24V/50; 110V/50, 120V/60; 220V/50, 240V/60

Coil Type	Nominal Power Ratings				Operator Temperature Range (TS) °C	Protection
	Inrush ~ (VA)	Holding ~ (VA) (W)		Hot/Cold = (W)		
		(VA)	(W)			
238613-059	50	25	10.1	-	-20 ~ +85°C	IP65
238713-106	-	-	-	22.6		
238713-006	-	-	-	11.6		

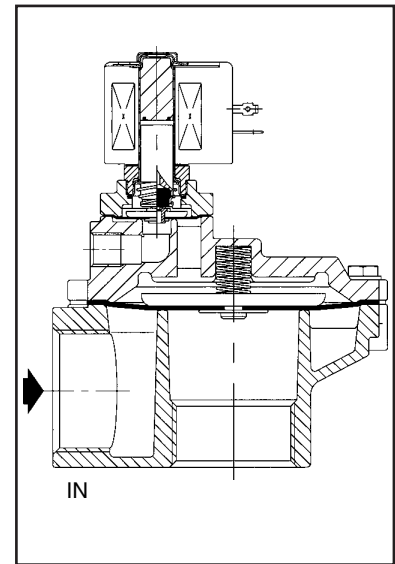
## SPECIFICATIONS

Pipe Size	Orifice Size (mm)	Flow Coefficient Kv (m³/h) (l/min)		Operating Pressure Differential (bar)				Coil Type ~ =		Catalog Number Aluminium Stainless Steel		Option			
				Min.	Max. (PS)		FPM					EPDM	CR	PTFE	
					Air (*)										
<b>G - Threaded pipe connection</b>															
1 1/2	52	44	768	0.35	8.5	8.5	MXX-FT	MXX-FT	SCG353G047*	SCG353G134	V				
2	66	77	1290	0.35	8.5	8.5	MXX-FT	MXX-FB	SCG353G050*	-	V				
2 1/2	66	92	1540	0.35	8.5	8.5	MXX-FT	MXX-FB	SCG353G051*(1)	-	V				
3	75	170	2833	1.0	6	6	MXX-FT	MXX-FB	SCG353G060*(2)	-	V				
<b>Ø - Compression fitting pipe connection</b>															
1 1/2	52	43	717	0.35	8.5	8.5	MXX-FT	MXX-FT	SCG353G065*	-	V				

(1) Contains spring above the main diaphragm

(2) Threaded pipe connection is external (male thread)

\* Express in 10 business days, please contact with ASCO for more details



### OPTIONS

- Waterproof enclosure with embedded screw terminal coil according to protection class IP67, CEE 10
- Explosionproof solenoids for hazardous locations according to ATEX and national standards
- Hose connection executions (3" only)
- Compliance with "UL" standards
- Plug with visual indication and/or peak voltage suppression
- Electronic timer
- Valves can also be supplied with FPM (fluoroelastomer) diaphragms and seals. Use the appropriate optional suffix letter for identification



### INSTALLATION

- The valves can be mounted in any position without affecting operation
- Threaded pipe connection is G (ISO 228/1) or compression fitting
- For compression fitting types tightness is achieved by the compressed gasket on the blow tube
- The use of the rubber gaskets as sealing members will allow a slight misalignment in piping when using compression fittings
- Other pipe threads are available on request
- Installation/maintenance instructions are included with each valve
- Spare parts kits and replacement coils are available

### DIMENSIONS (MM), WEIGHT (KG)

Fig. 1: Threaded pipe connection

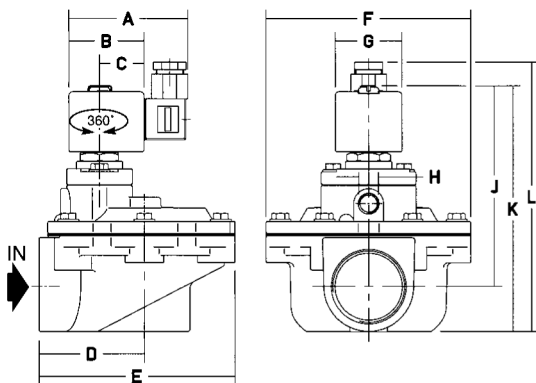


Fig. 2 Compression type fitting

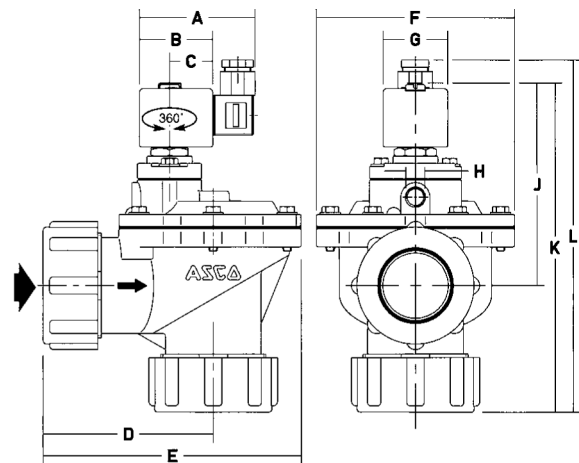
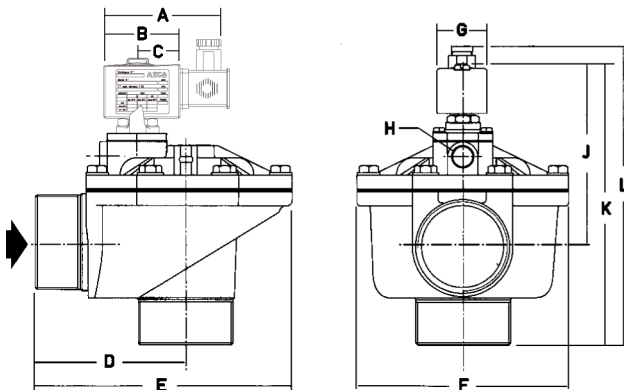


Fig. 3: External threaded type



### SPARE PARTS KIT

Catalog Number	Spare Parts Kit No.
SCG353G047	C140741
SCG353G050	C140742
SCG353G051	C140742
SCG353G065	C140741

Catalog Number	A	B	C	D	E	F	G	H	J	K	L	Weight <sup>(1)</sup>	(C)
SCG353G047	94	57	31	71	130	136	49.6	G 3/8	131	161	174	1.40	Fig.1
SCG353G050	94	57	31	95	168	165	49.6	G 3/4	165	210	222	2.90	Fig.1
SCG353G051	94	57	31	95	168	165	49.6	G 3/4	165	210	222	2.60	Fig.1
SCG353G060	94	57	31	143	240	192	49.6	G 1/2	165	258	271	4.10	Fig.3
SCG353G065	94	57	31	117	177	136	49.6	G 3/8	131	225	238	1.75	Fig.2

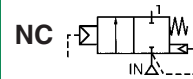
<sup>(1)</sup> Incl. coil and connector

<sup>(C)</sup> Construction type



# PULSE VALVES

single stage, remote pilot  
threaded body or compression fitting  
3/4" to 1 1/2"



2/2  
Series  
353

## FEATURES

- The diaphragm pulse valves are especially designed for dust collector service applications, combining high flow, long life and extremely fast opening and closing to produce reliable and economical operation
- The high flow, angle type bodies in combination with the special main diaphragm assemblies give the unique operating features required for dust collector service applications
- Integral compression fittings for fast, easy, secure installation
- Valves can be supplied according to ATEX Directive 2014/34/EU for non-electrical equipment by using suffix GD
- The valves satisfy all relevant EC directives



## GENERAL

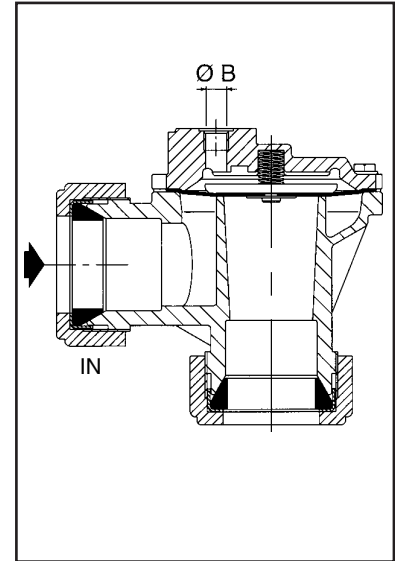
Differential pressure (PS) 0.35 - 8.5 bar [1 bar = 100kPa]  
Ambient temperature range -20/-40 ~ +85°C

Fluids (*)	Temperature Range (TS)	Diaphragm (*)
air	-40°C ~ +85°C	TPE (3/4" & 1")
air	-20°C ~ +85°C	Chloroprene

## MATERIALS IN CONTACT WITH FLUID

(\*) Ensure that the compatibility of the fluids in contact with the materials is verified

Body	Aluminium
Spring	Stainless steel
Diaphragm	TPE (Chloroprene)



## PILOT SOLENOID VALVES (2/2 NC function)

Main Pulse Valve Catalog Number	Remote Pilot Connection	Recommended Executions		
		Orifice Size (mm)	Manifold Pilot Valves in a Box	Single Pilot Valves IP20
G353A041	G1/8	3.6	pilot box series 110 2 to 12 pilots 1/8	series 257
G353.055				
G353A042				
G353.056				
G353A045	G1/4	5.6	pilot box series C20 4 to 6 valves 1/4	series 262 / 272
G353.066				

## SPECIFICATIONS

Pipe Size	Remote Pilot connection	Orifice Size	Flow Coefficient Kv		Operating Pressure Differential (bar)			Catalog Number		Option			
					Min.	Max. (PS)				FPM	EPDM	CR	PTFE
G	ØB	(mm)	(m³/h)	(l/min)		~	=	Aluminium	Stainless Steel				
<b>G - Threaded pipe connection, TPE diaphragm</b>													
3/4	1/8	24	14	233	0.35	8.5	8.5	G353A041*	G353A130	V			
1	1/8	27	17	283	0.35	8.5	8.5	G353A042*	G353A131	V			
<b>G - Threaded pipe connection, CR diaphragm</b>													
1 1/2	1/4	52	46	768	0.35	8.5	8.5	G353A045	-	V			
<b>Ø - Compression fitting pipe connection, TPE diaphragm</b>													
3/4	1/8	24	14	233	0.35	8.5	8.5	G353.055*	-	V			
1	1/8	27	17	283	0.35	8.5	8.5	G353.056*	-	V			
<b>Ø - Compression fitting pipe connection, CR diaphragm</b>													
1 1/2	1/4	52	43	717	0.35	8.5	8.5	G353.066*	-	V			

\* Express in 10 business days, please contact with ASCO for more details

**OPTIONS**

- Valves can also be supplied with FPM (fluoroelastomer) diaphragms and seals.  
Use the appropriate optional suffix letter for identification
- Sequential controller for pilot solenoid valves
- Pilot boxes containing 2 to 12 pilot solenoid valves
- Pilot solenoid valves can be equipped with explosionproof solenoids for hazardous locations according to "ATEX" and national standards

**INSTALLATION**

- The valves can be mounted in any position without affecting operation
- Threaded pipe connection is G (ISO 228/1) or compression fitting
- When connecting piping or tubing to the G1/8 connection in the valve bonnet, the remote ASCO pilot valve should be mounted as close as possible to the main pulse valve. Connection tubing lengths of 3 meter or less have little effect on the pulse response. Installations with over 3 meter of tubing must be tested under actual operating conditions. Tubing with Ø 6 mm O.D. is recommended for all installations
- For compression fitting types tightness is achieved by the compressed gasket on the blow tube
- Other pipe threads are available on request
- Installation/maintenance instructions are included with each valve
- Spare parts kits and replacement coils are available

**DIMENSIONS (MM), WEIGHT (KG)**

Fig. 1: Threaded pipe connection

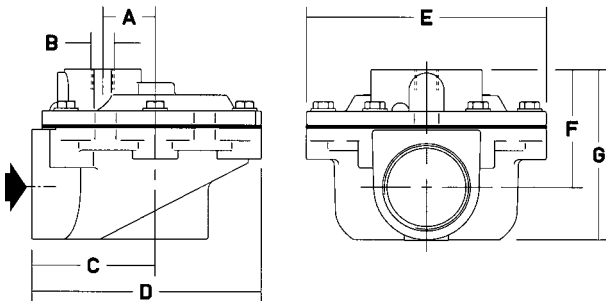
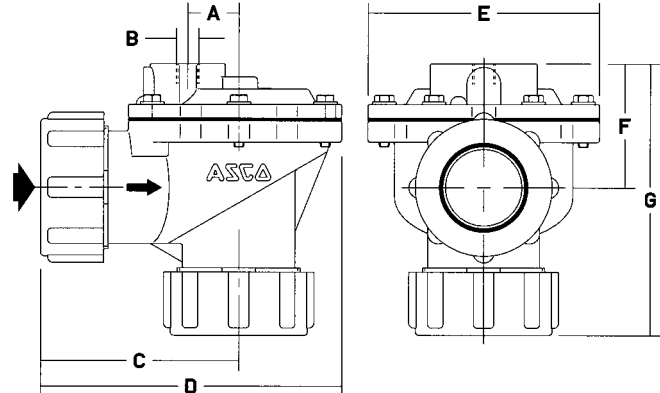


Fig. 2: Compression type fitting



Catalog Number	A	B	C	D	E	F	G	Weight <sup>(1)</sup>	<sup>(c)</sup>
G353A041	-	G 1/8"	51	89	75	41	64	0.45	Fig.1
G353A042	-	G 1/8"	51	89	75	41	64	0.40	Fig.1
G353A045	30	G 1/4"	41	130	136	71	98	1.00	Fig.1
G353.055	-	G 1/8"	88	125	75	47	109	0.58	Fig.2
G353.056	-	G 1/8"	88	125	75	47	129	0.61	Fig.2
G353.066	30	G 1/4"	117	177	136	73	161	1.33	Fig.2

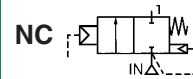
<sup>(1)</sup> Incl. coil and connector

<sup>(c)</sup> Construction type



# PULSE VALVES

dual stage, remote pilot  
threaded body 1 1/2" to 3" or  
compression fitting Ø 1 1/2"



2/2  
Series  
353

## FEATURES

- The pulse valves are especially designed for dust collector service applications, combining high flow, long life and extremely fast opening and closing to produce reliable and economical operation
- The high flow, angle type bodies in combination with the special main diaphragm assemblies give the unique operating features required for dust collector service applications
- Integral compression fittings for fast, easy, secure installation
- Valves can be supplied according to ATEX Directive 2014/34/EU for non-electrical equipment by using suffix GD
- The components satisfy all relevant EC directives



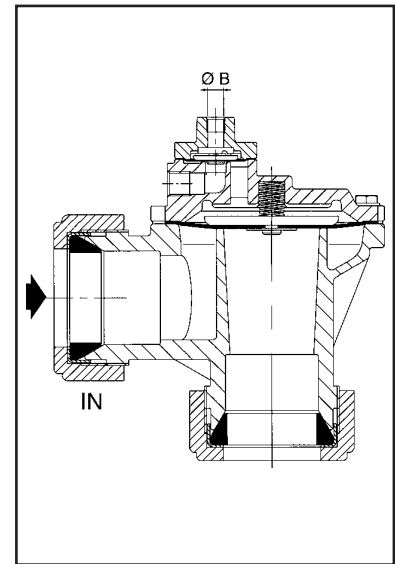
## GENERAL

Differential pressure (PS) 0.35 - 8.5 bar [1 bar = 100kPa]  
Ambient temperature range -20 ~ +85°C

Fluids	Temperature Range (TS)	Diaphragm
air	-20°C ~ +85°C	Chloroprene

## CONSTRUCTION

Body Aluminium  
Springs Stainless steel  
Diaphragms Chloroprene



## PIIOT SOIENOID VALVES (2/2 NC function)

Main Pulse Valves	Remote Pilot Connection	Recommended Executions		
		Orifice Size (mm)	Manifold Pilot Valves in a Box	Single Pilot Valves
G353A046	G1/8	3.6	pilot box series 110 2 to 12 pilots 1/8	IP00
G353A063				series 257
G353.048	G1/4	5.6	pilot box series C20 4 to 6 valves 1/4	-
G353.049				
G353.058				

## SPECIFICATIONS

Pipe Size	Orifice Size (mm)	Flow Coefficient Kv (m³/h) (l/min)		Operating Pressure Differential (bar)			Catalog Number	OPTION			
				Min.	Max. (PS)			FPM	EPDM	CR	PTFE
					Air						
<b>G - Threaded pipe connection</b>											
1 1/2	52	46	768	0.35	8.5	8.5	G353A046	V			
2	66	66	1290	0.35	8.5	8.5	G353A048	V			
2 1/2	66	92	1540	0.35	8.5	8.5	G353A049	V			
3	75	170	2833	1.0	6.0	6.0	G353.058 <sup>(1)</sup>	V			
<b>Ø - Compression fitting pipe connection</b>											
1 1/2	52	43	717	0.35	8.5	8.5	G353A063	V			

<sup>(1)</sup> Threaded pipe connections are external (male thread).



**OPTIONS**

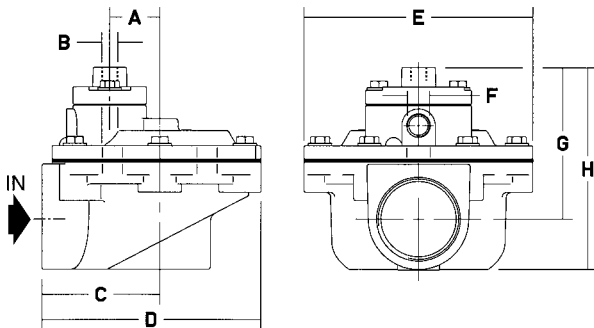
- Valves can also be supplied with FPM (fluorelastomer) diaphragms and seal materials. Use the appropriate optional suffix letter for identification
- Sequential controller for pilot solenoid valves
- Pilot boxes containing 4 to 12 pilot solenoid valves
- Pilot solenoid valves can be equipped with explosionproof solenoids for hazardous locations according to "ATEX" and national standards

**INSTALLATION**

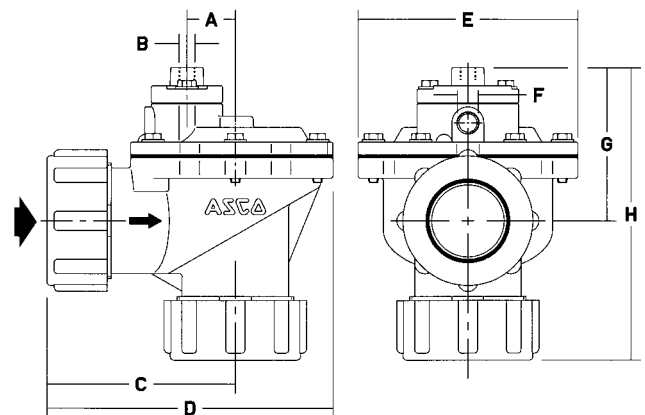
- The valves can be mounted in any position without affecting operation
- Threaded pipe connection is: G = G (ISO 228/1) or compression fittings
- When connecting piping or tubing to the G1/8 or G1/4 connection in the valve bonnet, the remote ASCO pilot valve should be mounted as close as possible to the main pulse valve. Connection tubing lengths of 3 meter or less have little effect on the pulse response. Installations with over 3 meter of tubing must be tested under actual operating conditions. Tubing with Ø 6 or Ø 8 mm O.D. is recommended for all installations
- For compression fitting types tightness is achieved by the compressed gasket on the blow tube
- Other pipe threads are available on request
- Installation/maintenance instructions are included with each valve
- Spare parts kit and replacement coils are available

**DIMENSIONS (MM), WEIGHT (KG)**

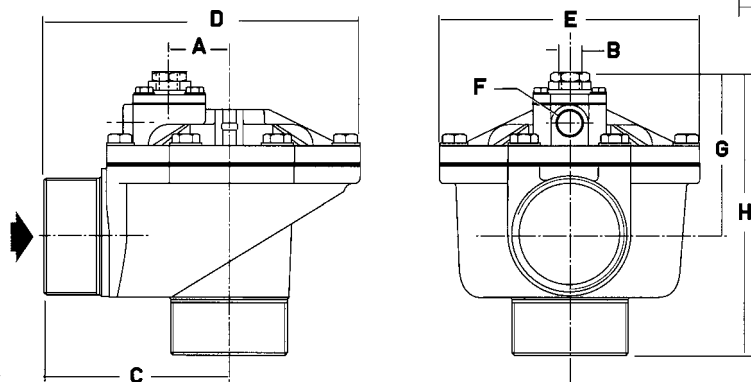
**Fig.1 Threaded type**



**Fig.2 Compression fitting type**



**Fig. 3 External threaded type**



Catalog Number	A	B	C	D	E	F	G	H	Weight <sup>(1)</sup>	<sup>(c)</sup>
G353A046	30	G 1/8"	71	130	136	G 3/8"	90	120	1.10	Fig.1
G353A048	30	G 1/4"	95	168	165	G 3/4"	121	166	2.60	Fig.1
G353A049	30	G 1/4"	95	168	165	G 3/4"	121	166	2.30	Fig.1
G353.058	48	G 1/4"	143	240	192	G 1/2"	121	214	3.70	Fig.3
G353A063	30	G 1/8"	87	177	136	G 3/8"	96	183	1.43	Fig.2

<sup>(1)</sup> Incl. coil and connector

<sup>(c)</sup> Construction type



### FEATURES

- The pulse diaphragm valves are especially designed for dust collector service applications, combining high flow, long life and extremely fast opening and closing to produce reliable and economical operation
- The high quality diaphragms are wear resistant and guarantee a long operating life, even under harsh conditions
- Easy installation directly into header tank
- Easy maintenance
- Normally closed valve
- Integral pilot operated
- Higher harsh environment resistance & better appearance



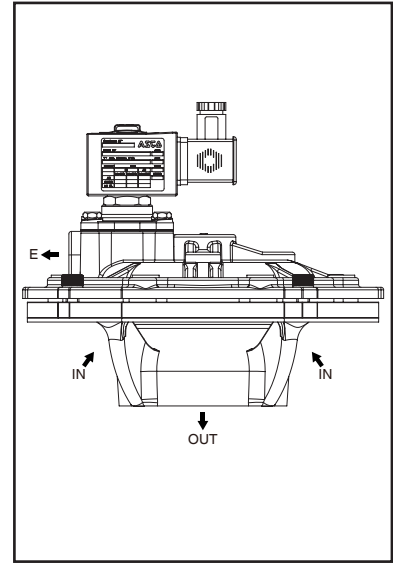
### GENERAL

Differential pressure 1~6 bar [1 bar = 100kPa]  
 Maximum allowable pressure 6 bar  
 Ambient temperature range -40 ~ +85°C

Fluid (*)	Temperature Range (TS)	Diaphragm (*)
air	-40°C ~ +85°C	Neoprene

### CONSTRUCTION

Body	Aluminium
Core tube	Stainless steel
Core and plugnut	Stainless steel
Springs	Stainless steel
Seals & disc	NBR
Diaphragms	Neoprene
Shading coil	Copper
Coil insulation class	F
Connector	Spade plug(Pg11P)
Connector specification	ISO4400
Electrical safety	IEC335



### ELECTRICAL CHARACTERISTICS

Standard voltages DC (=): 24V  
 (Other voltages and 60 Hz on request) AC (~): 24V/50; 110V/50, 120V/60; 220V/50, 240V/60

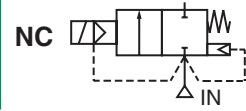
Coil Type	Nominal Power Ratings				Ambient Temperature Range (TS) (°C)	Protection
	Inrush ~ (VA)	Holding ~ (VA) (W)		Hot/Cold = (W)		
238613-059	50	20	10.1	-	-40 ~ +85	IP65
238613-006	-	-	-	11.6		

### SPECIFICATIONS

Pipe Size	Orifice Size (mm)	Flow Coefficient Kv (m³/h) (l/min)		Operating Pressure Differential (bar)			Coil Type		Catalog Number
				Min.	Max. (PS)		~	=	
					~	=			
G 3	75mm	170	2833	1	6	6	MXX-FT	MXX-FT	SCR353G060

\* Express in 10 business days, please contact with ASCO for more details





### FEATURES

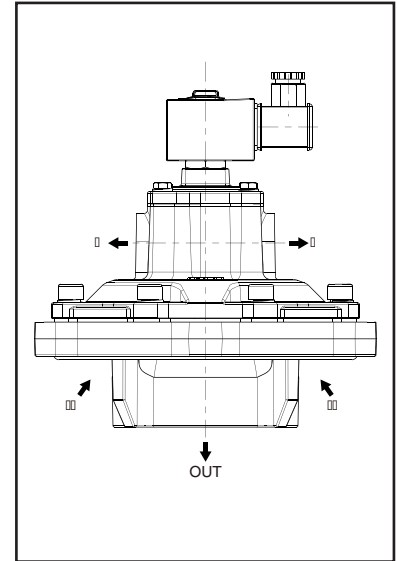
- The pulse diaphragm valves are especially designed for dust collector service applications, combining high flow, long life and extremely fast opening and closing to produce reliable and economical operation
- The high quality diaphragms are wear resistant and guarantee a long operating life, even under harsh conditions
- Easy installation directly into header tank
- Easy maintenance
- Normally closed valve
- Integral pilot operated
- Special design for sharper opening & closing with higher tank performance ratio
- Higher harsh environment resistance & better appearance



### GENERAL

Differential pressure 1~6 bar [1 bar = 100kPa]  
Ambient temperature range -40 ~ +85°C

Fluid	Temperature Range (TS)	Diaphragm
air	-40°C ~ +85°C	Neoprene



### CONSTRUCTION

Body	Aluminum
Core tube	Stainless steel
Core and plugnut	Stainless steel
Springs	Stainless steel
Seals & disc	Nylon & NBR (Nitrile)
Diaphragms	Neoprene
Shading coil	Copper
Coil insulation class	F
Connector	Spade plug
Connector specification	ISO 4400
Electrical safety	IEC 335

### ELECTRICAL CHARACTERISTICS

Standard voltages DC (=): 24V  
(Other voltages and 60 Hz on request) AC (~): 24V/50; 110V/50, 120V/60; 220V/50, 240V/60

Coil Type	Nominal Power Ratings				Ambient Temperature Range (TS) (°C)	Protection
	Inrush ~ (VA)	Holding ~		Hot/Cold = (W)		
		(VA)	(W)			
238613-059	50	25	10.1	-	-40 ~ +85	IP65
238613-006	-	-	-	11.6		

### SPECIFICATIONS

Pipe Size	Orifice Size (mm)	Flow Coefficient Kv (m³/h) (l/min)		Operating Pressure Differential (bar)			Coil Type	Catalog Number
				Min.	Max. (PS)			
					~	=		
<b>Tank mounted version</b>								
3	76	210	3500	1	6	6	MXX-FT	SCR353G230
3 1/2	90	280	4667	1	6	6	MXX-FT	SCR353G235*

\* Express in 10 business days, please contact with ASCO for more details

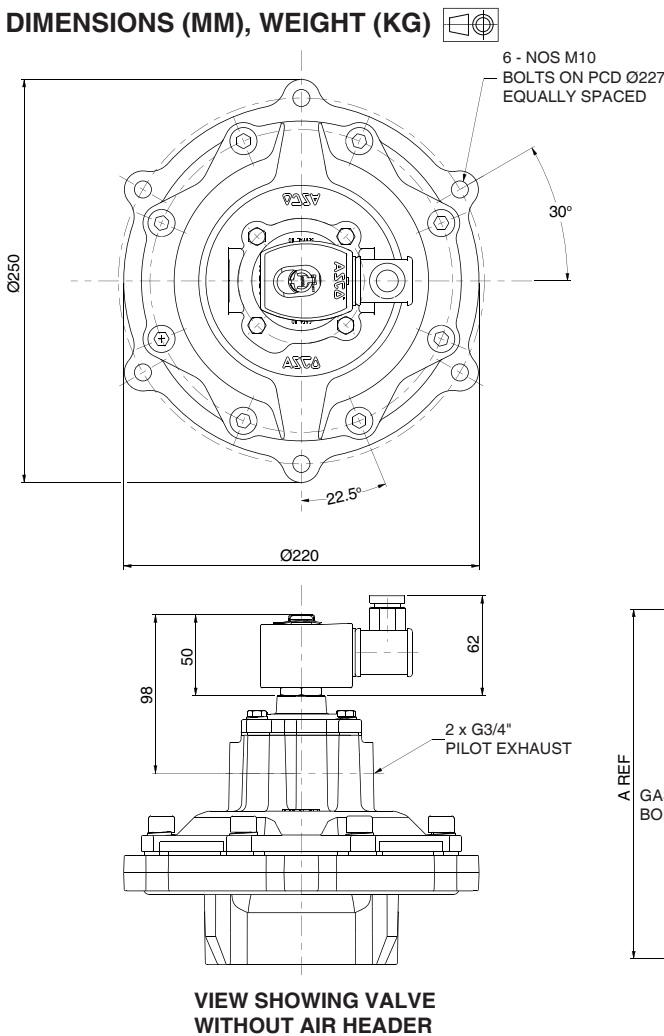
**OPTIONS**

- Waterproof enclosure with embedded screw terminal coil according to protection class IP67, CEE 10
- Plug with visual indicator and/or peak voltage suppression
- Electronic timer
- Viton seal is available on request

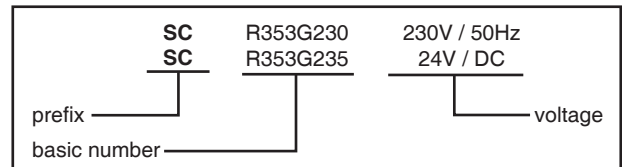
**INSTALLATION**

- The valves can be mounted in any position without affecting operation, vertically upright is preferred
- Installation / maintenance instructions are included with each valve
- Spare parts kit and replacement coils are available
- Rubber gasket provided for mounting between valve and header tank
- 6 mounting bolts, nuts and washers (M10) also provided

**DIMENSIONS (MM), WEIGHT (KG)**

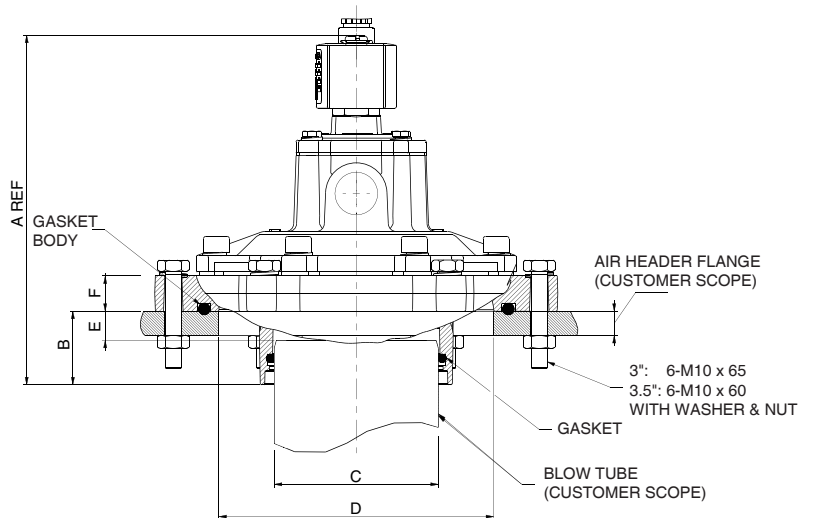


**ORDERING EXAMPLES**



**SPARE PARTS KIT**

Catalog Number	Spare Parts Kit No.
SCR353G230	C140746
SCR353G235	C140745



\*Including coil(s) and connector(s)

Catalog Number	A	B	C	D	E	F	Weight (kg)*
SCR353G230	218	32.5	Ø89 <sup>+0.2</sup> <sub>0</sub>	Ø170	-9 ~ 9	30	4.30
SCR353G235	216	46	Ø103 <sup>+0.3</sup> <sub>0</sub>	Ø170	12 ~ 18	22.5	4.15